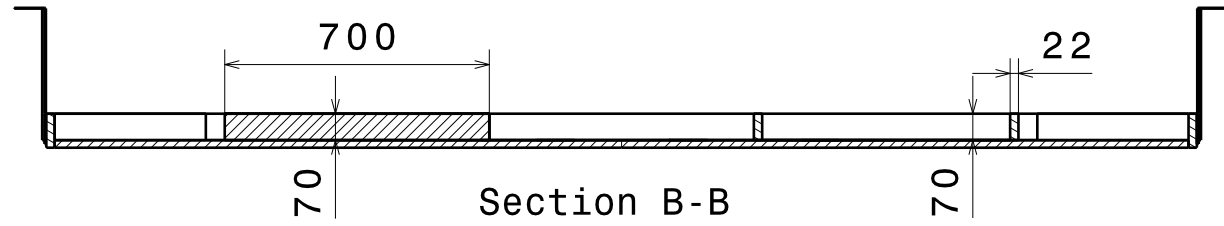
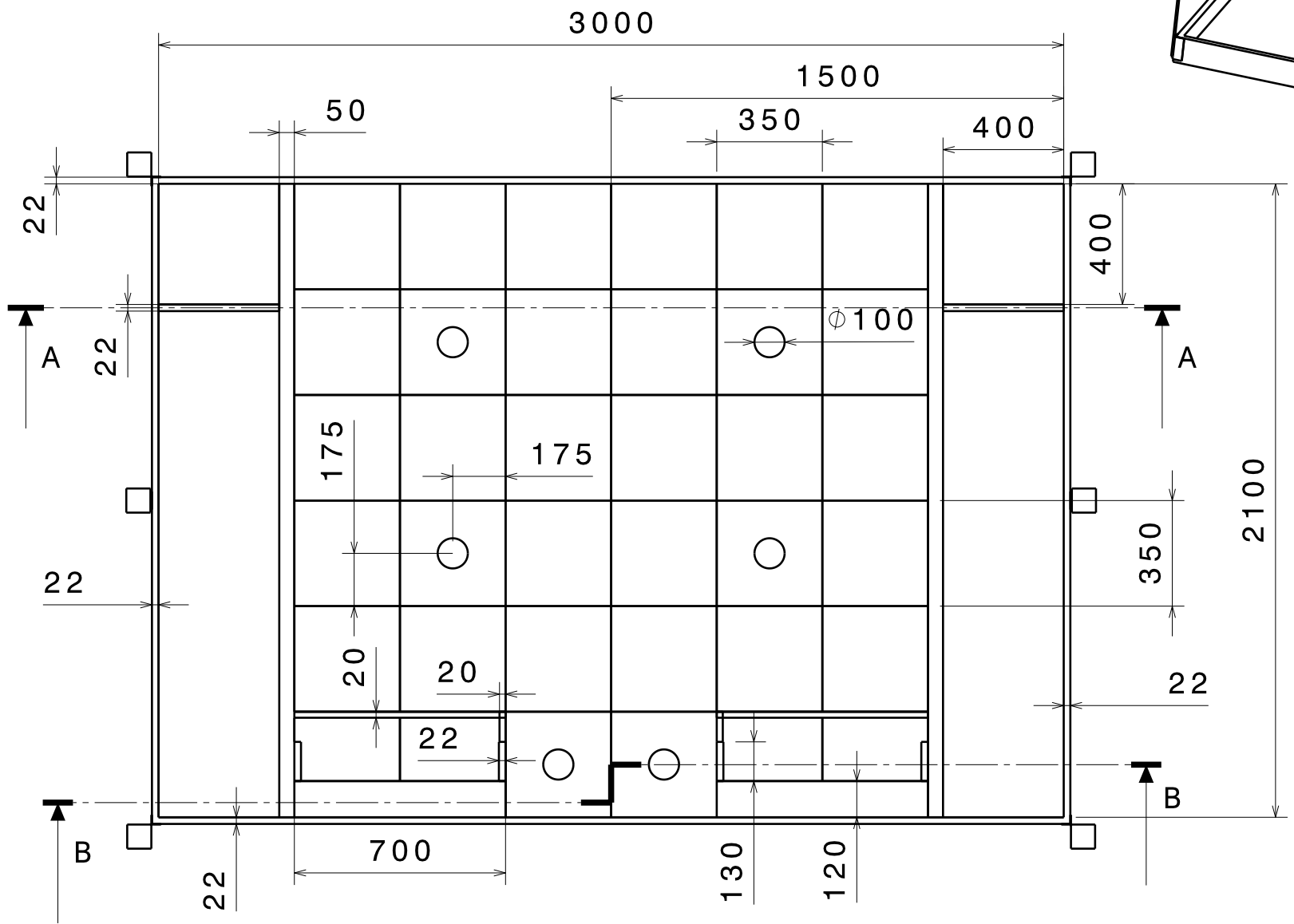
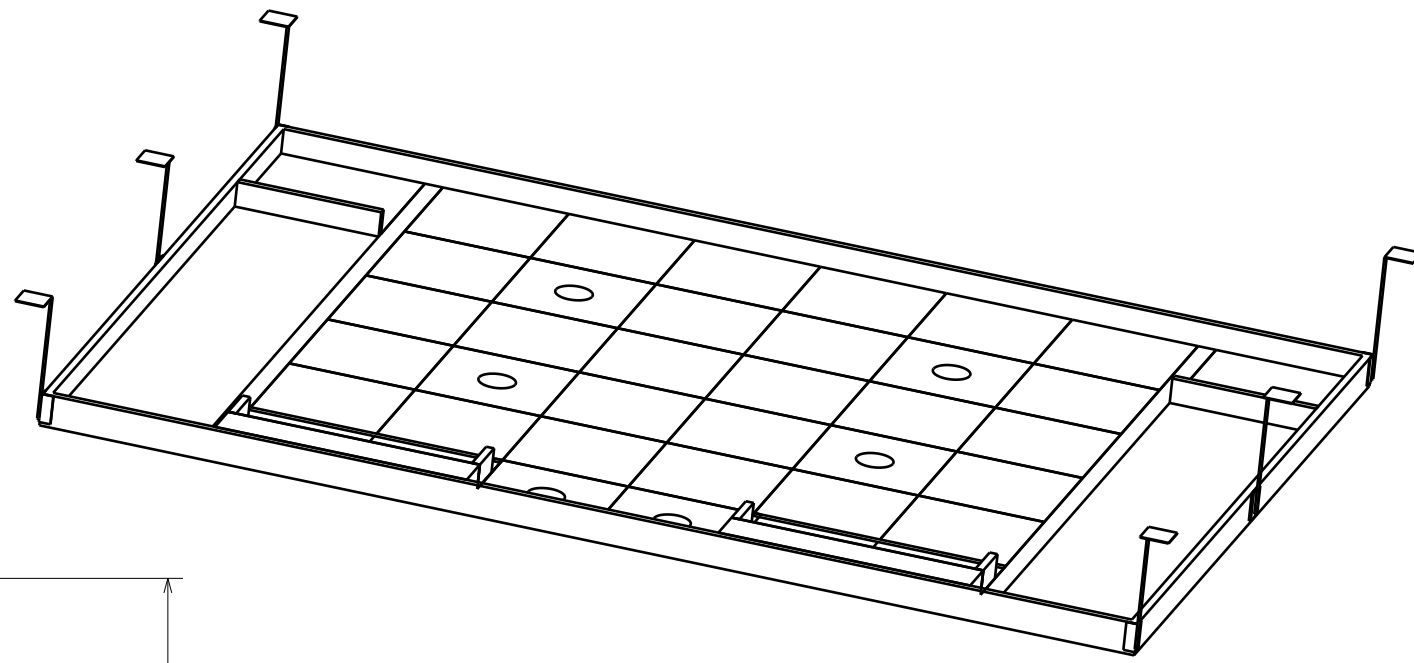




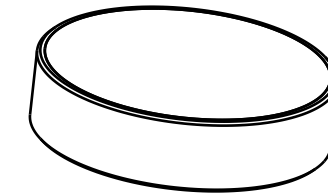
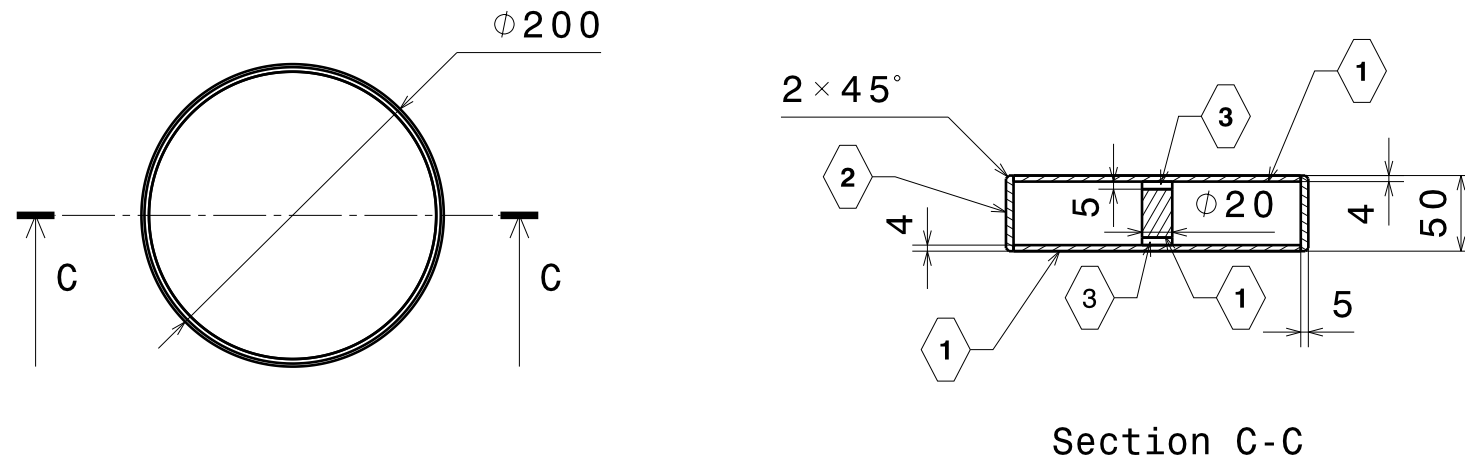
Section A-A



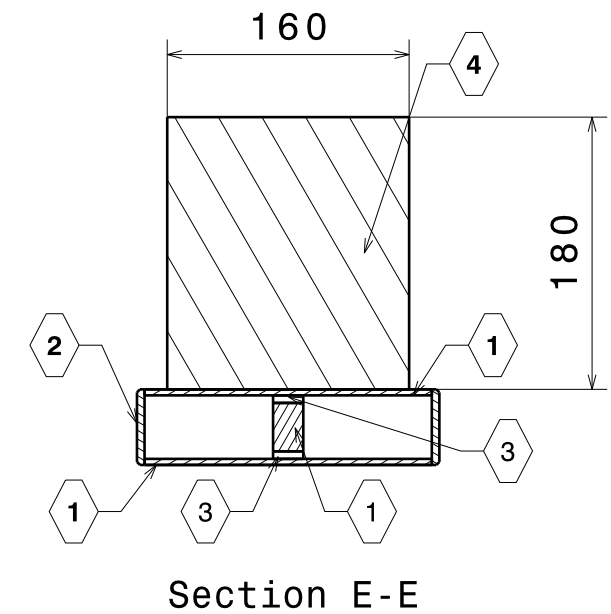
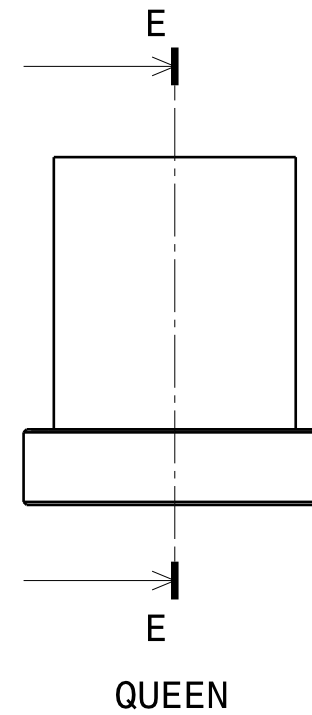
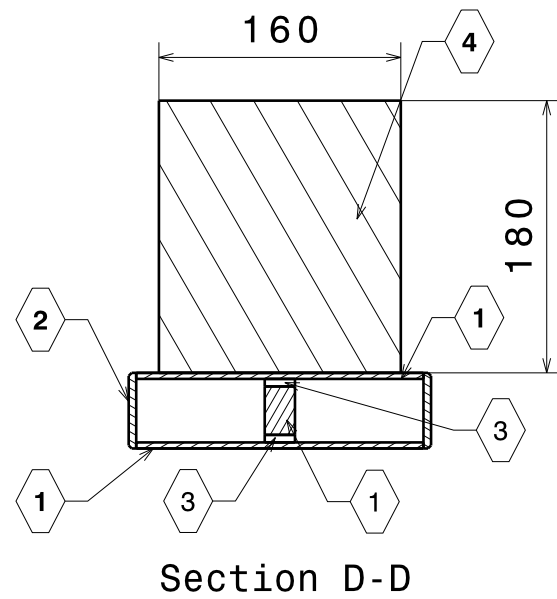
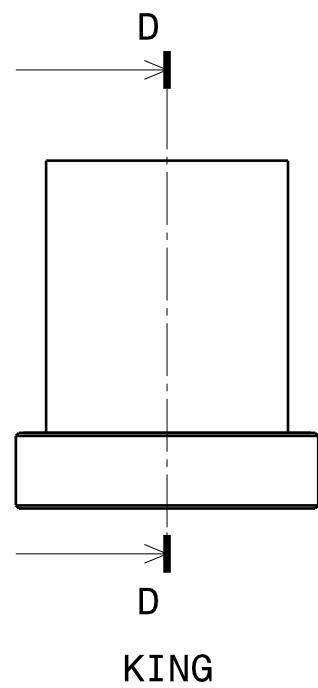
Section B-B



|   |               |                 |
|---|---------------|-----------------|
| DIMENSIONS ARE IN MILLIMETRES                       |               |                 |
| <b>EUROBOT 2011</b>                                 |               |                 |
| SPECIFICATION OF THE TABLE AND THE PLAYING ELEMENTS |               |                 |
| VERSION 1.2   | AUTOR EUROBOT | DATE 26/09/2010 |
| SCALE 1:20  | SHEET 1 / 2   | FORMAT A3       |



PAWN



|   |  |
|---|--|
| 1 | Piece of wood  |
| 2 | Pipe of PVC  |
| 3 | Magnet   |
| 4 | Maximun area (cylinder) for the playing element's decoration |